

Parametric 2D sketching in PolyWorks | Modeler™ V12

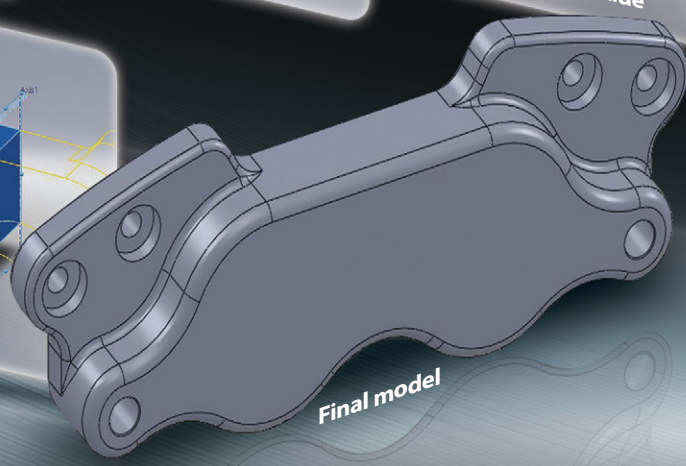
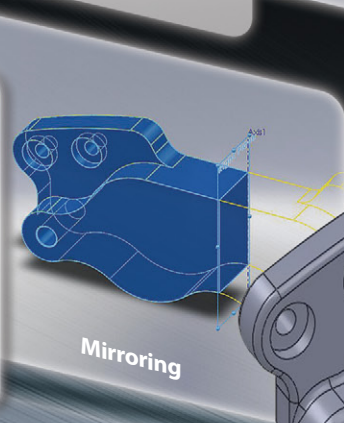
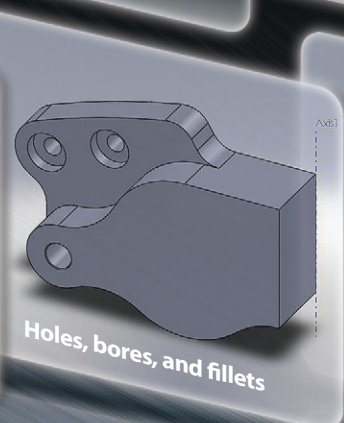
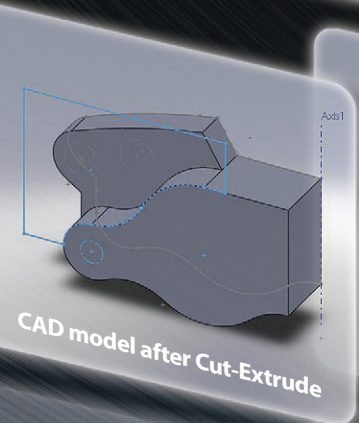
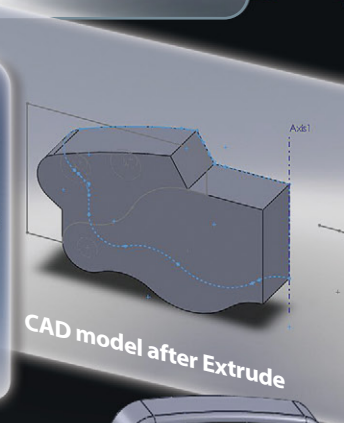
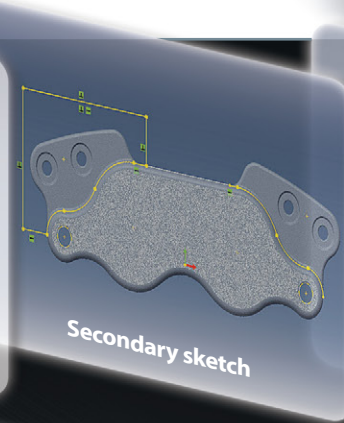
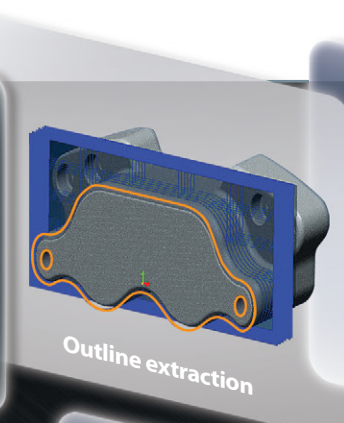
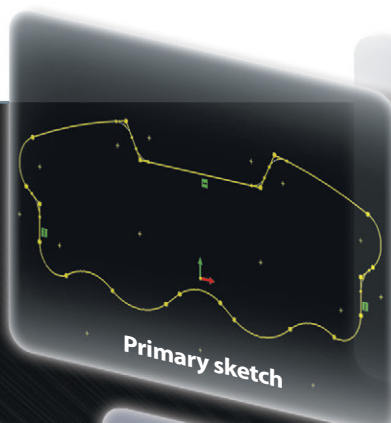
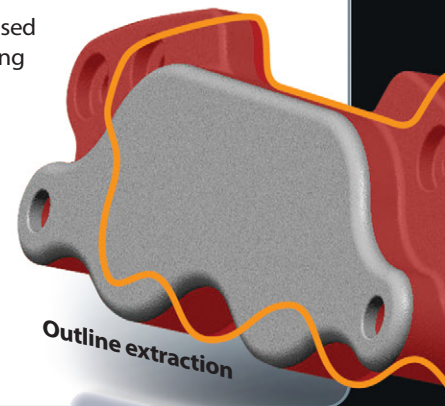
PolyWorks/Modeler optimizes the extraction of geometric entities on digitized models, accelerating the development of parametric and associative CAD models in **your** professional CAD/CAM solution.

Parametric 2D sketching

- Three-step sketch creation workflow: Define a sketch plane, compute a sketch outline from a digitized model, create a sketch guided by a sketch outline
- Sketch outline creation by slicing with one cross-section or averaging multiple cross-sections
- Sketch outline creation by computing a silhouette edge
- Compensation for draft angle
- Standard CAD-like operations to anchor entities (such as lines, arcs, circles, rectangles, and splines), view and modify entity parameters, drag entities, create horizontal/vertical line constraints, create relational constraints, create construction entities, and more
- Specialized reverse-engineering techniques including interactive entity and constraint fitting, corner reconstruction, real-time visualization of entity-to-outline deviations, and more

Major enhancements to curves

- Intelligent curve magnetization engine that allows editing a curve in a network of patches without losing patch topology information
- New curve mathematical engine that produces smoother curves
- Intuitive curve reshaping tool based on dragging and interactive fairing
- Enhanced usability through simplified dialog boxes, less user-defined parameters, and improved terminology and workflows



Your One-Stop 3D Metrology Partner

www.innovmetric.com

Corporate Headquarters | InnovMetric Software Inc. 2014, Cyrille-Duquet, Suite 310, Québec QC G1N 4N6 Canada
Phone: 418-688-2061 | Toll free: 1-888-688-2061 | Fax: 418-688-3001 | info@innovmetric.com

Québec Canada | Detroit, MI, USA | Los Angeles, CA, USA | Dallas, TX, USA | Salisbury, NC, USA | Pune India | Shanghai China
Paris France | Lindau Germany | Kaluga Russia | Bangkok Thailand | São Paulo Brazil
Duwe-3d AG, partner office in Europe

© 2011 InnovMetric Software Inc. All rights reserved. PolyWorks® is a registered trademark of InnovMetric Software Inc. InnovMetric, PolyWorks/Modeler, PolyWorks/Inspector, PolyWorks/Inspector Probing, PolyWorks/Talisman, IMAlign, IMMerge, IMEdit, IMCompress, IMInspect, IMSurvey, IMTexture, IMView, and "The Universal 3D Metrology Software Platform" are trademarks of InnovMetric Software Inc. SmartGD&T is a trademark of Multi Metrics Inc. All other trademarks are the property of their respective owners.

